



External Zero Sync Source Technical Data Sheet

PRODUCT APPLICATION

External Zero Sync (ZSync™) Source for Tempest2400 Professional BaseStations. When ordering, reference Part Number **TMP-ZSYNC-04**.

RoHS COMPLIANCE

This product is in compliance with the European Directive 2002/95/EC on the Restriction of Hazardous Substances (RoHS).

SPECIFICATIONS*

The dongle produces a sync signal that aligns the hop sequence as well as the transmit cycles of the connected BaseStations. The beginning of a hop sequence is indicated with a short pulse (1% duty cycle). The remaining 5804 pulses in the sequence use a 50% duty cycle.

Electrical

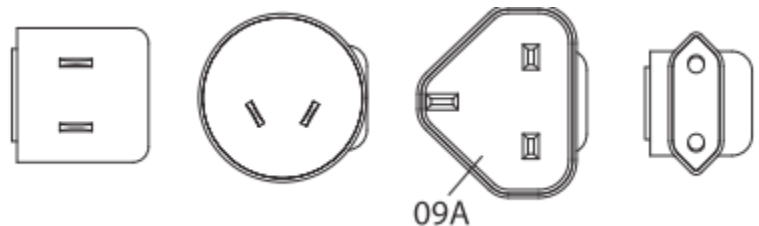
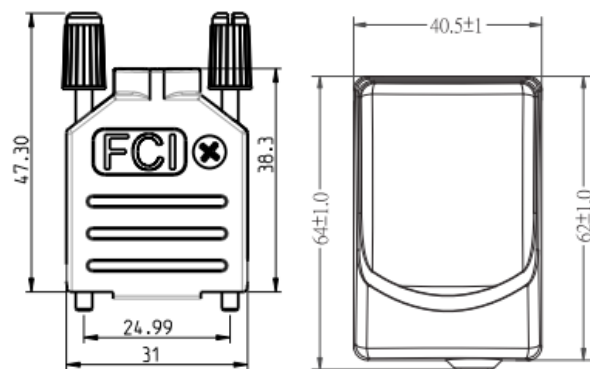
Input Voltage Range	90-264 AC
Input Frequency Range	47-63 Hz
Input Current	300mA max
Inrush Current	60A max @ 230V/30A max @ 115V
Typical Power Consumption	0.3 W

Safety and Compliance

Hi-Pot	3000 VAC (input to output at 10mA for 1 min)
Safety Approvals	UL, FCC
EMI standard	FCC class A, CE
RoHS Compliant	Yes
Leakage Current	0.25mA

Physical

Dongle Weight	.15 lbs
Dongle and Supply	.30 lbs
Cable Length	~6'



Pliant Technologies, LLC
Tempest®
205 Technology Parkway
Auburn, Alabama 36830 USA
www.plianttechnologies.com
Phone +1.334.321.1160
Toll-Free 1.844.475.4268 or 1.844.4PLIANT
Fax +1.334.321.1162

ZSyncDataSheet_TMP-ZSYNC-04_3.16

Copyright ©2016 Pliant Technologies, LLC. All rights reserved. The Pliant™ word mark and the Pliant "P" logo are trademarks of Pliant Technologies, LLC. The Tempest® and SmartBoom® word marks are trademarks of CoachComm LLC. All other trademarks are property of their respective owners.

*Notice About Specifications

While Pliant makes every attempt to maintain the accuracy of the information contained in this datasheet, this information is subject to change without notice. Please check our website for the latest system specifications and certifications.